

# **ILLUSTRATED PARTS LIST**

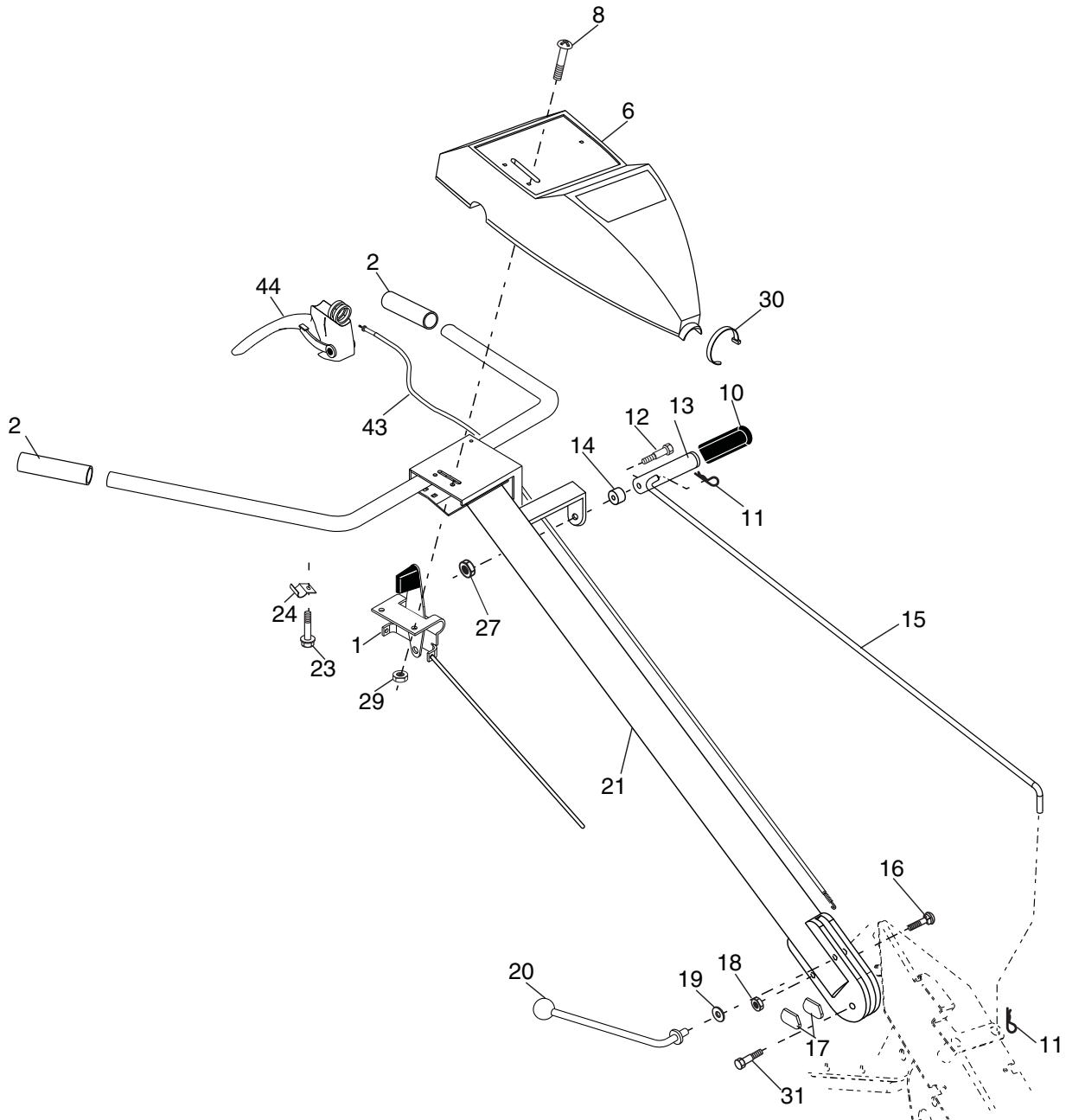
**MFG. ID NO. 96091001702**

**MODEL NUMBER TR530**

**PRODUCT NUMBER 960 91 00-17**

# HUSQVARNA TILLER - MODEL NUMBER TR530 (MFG. ID. NO. 96091001702)

## HANDLE ASSEMBLY



Handle\_assy\_102

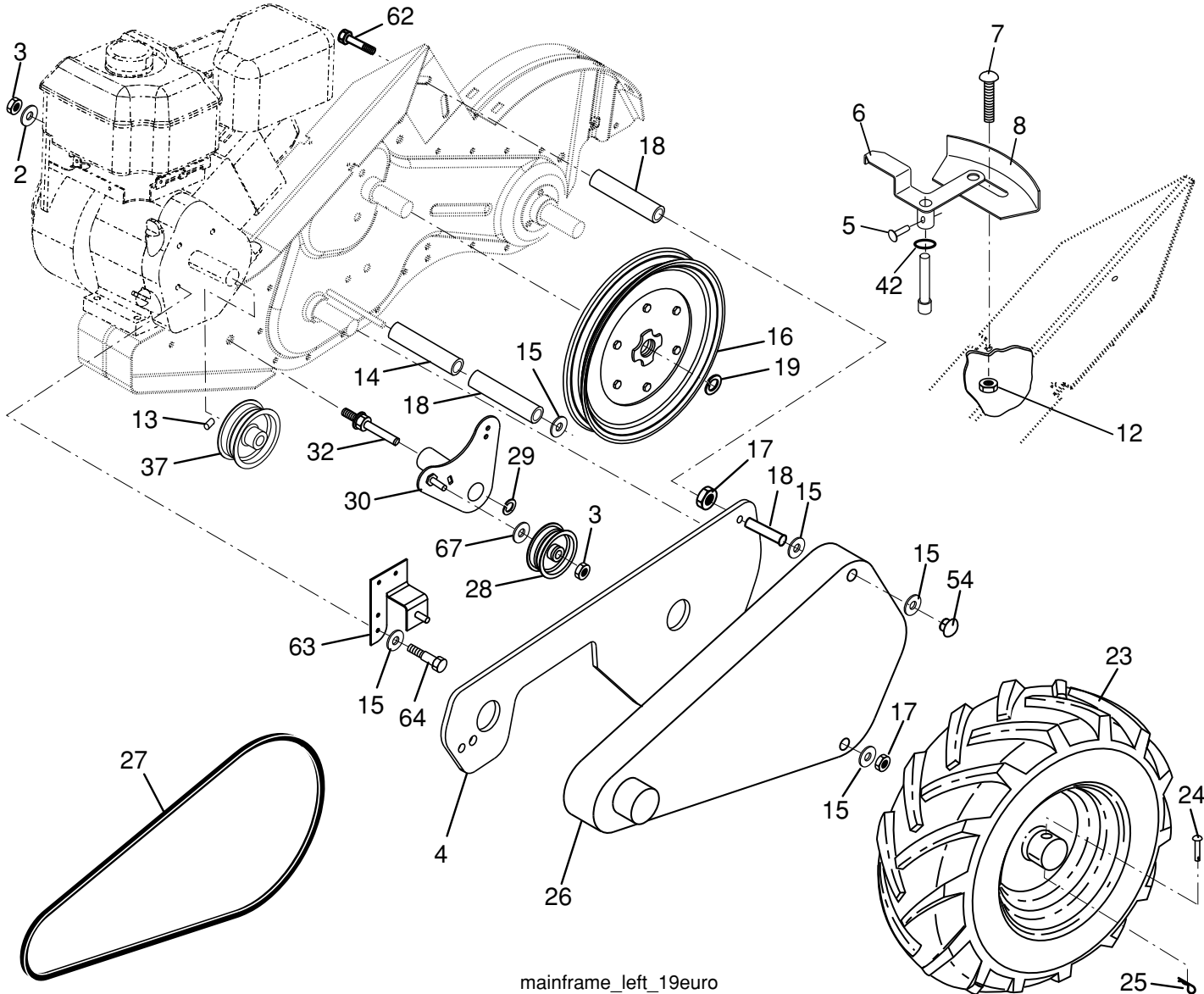
KEY NO.	PART NO.	DESCRIPTION
1	532 43 18-53	Control, Throttle
2	532 42 76-43	Grip, Handle
6	532 44 03-15	Panel, Control
8	871 19 10-08	Screw, Truss Head #10-24 UNC x 1/2
10	532 12 47-97	Grip, Handle
11	532 12 47-88	Retainer, Spring
12	532 08 13-28	Bolt, Shoulder
13	532 18 74-97	Handle, Shift
14	532 10 93-13	Grommet, Rubber
15	532 13 84-00	Rod, Shift
16	872 11 06-08	Bolt, Carriage, Grade 5, 3/8-16 x 1
17	532 10 92-29	Lock, Handle
18	873 68 06-00	Nut, Hex, Crownlock, 3/8-16 UNC

KEY NO.	PART NO.	DESCRIPTION
19	819 13 16-11	Washer, 13/32 x 1 x 11 Gauge
20	532 10 92-28	Lever, Lock, Handle
21	532 44 08-84	Handle
23	532 08 67-77	Screw, Hex Washer Head, Slotted, #10-24 x 1/2
24	532 00 94-84	Clip
27	873 90 04-00	Nut, Hex, Flanged, 1/4-20 UNC
29	873 73 10-00	Nut, Hex, Keps, #10-24 UNC
30	532 10 41-64	Tie, Cable
31	532 15 06-96	Bolt, Pivot
43	532 43 94-57	Cable, Handle, Tine Control
44	532 43 87-82	Control, Handle, Two Function

**NOTE:** All component dimensions given in U.S. inches.  
1 inch = 25.4 mm

# HUSQVARNA TILLER - MODEL NUMBER TR530 (MFG. ID. NO. 96091001702)

## MAINFRAME, LEFT SIDE

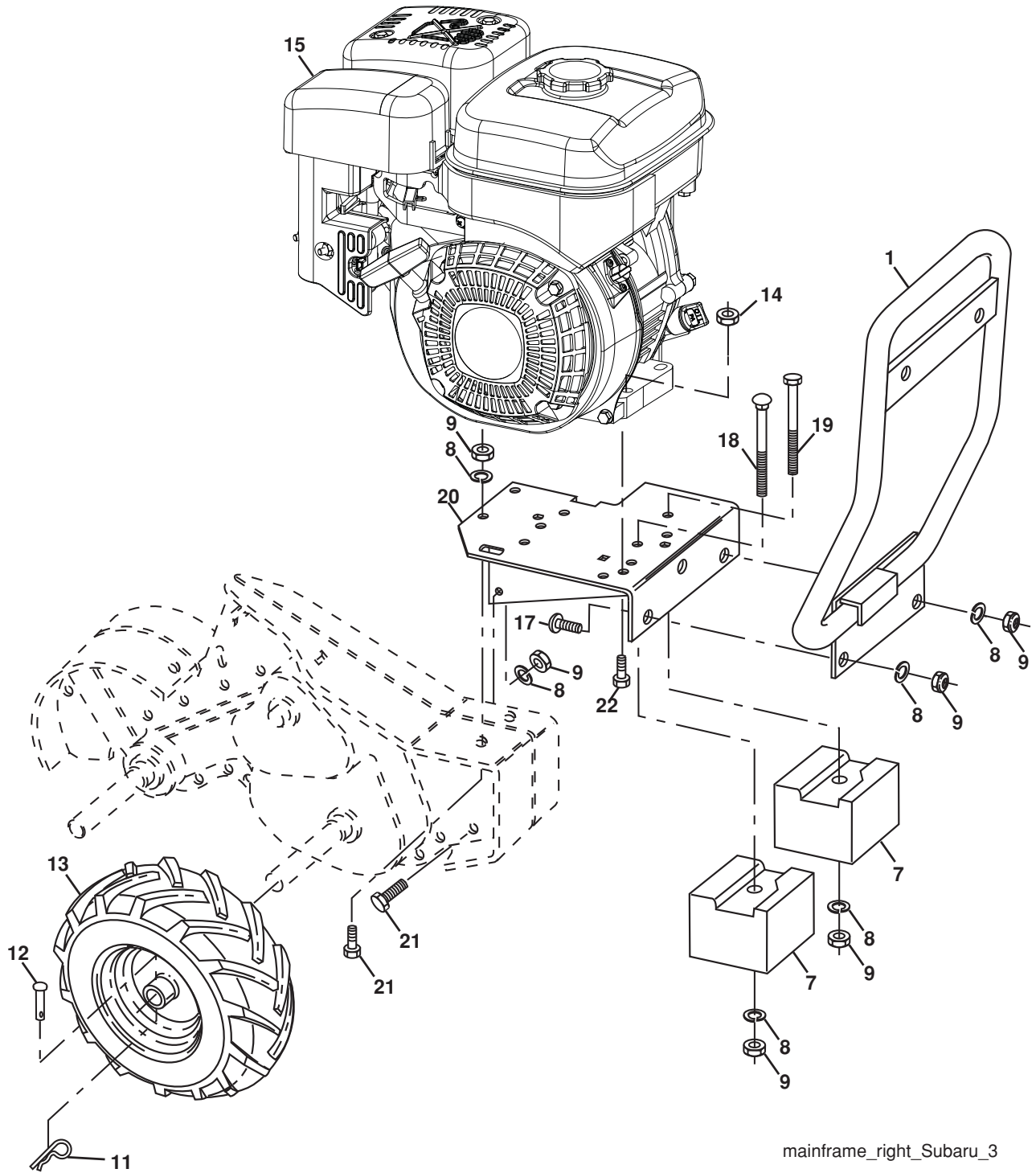


mainframe\_left\_19euro

KEY NO.	PART NO.	DESCRIPTION	KEY NO.	PART NO.	DESCRIPTION
2	810 04 06-00	Washer, Lock, 3/8	23	532 00 50-15	Tire
3	873 22 06-00	Nut, Hex, 3/8-16		532 00 50-14	Rim
4	532 18 00-46	Shield, Inner Belt Guard, RH		532 12 47-18	Tire Valve
5	532 16 43-29	Pin, Spiral Flared	24	532 00 49-29	Rivet, Drilled
6	532 11 01-11	Lever, Shift	25	532 12 49-61	Clip, Hairpin
7	872 11 04-04	Bolt, Carriage, Grade 5, 1/4-20 x 1/2	26	532 44 29-60	Guard, Belt
8	532 00 87-00	Plate, Shift Indicator	27	532 13 83-99	Belt, V
9	532 08 67-77	Screw, Hex Washer Head, Slotted, #10-24 x 1/2	28	532 10 46-79	Pulley, Idler
10	532 00 94-84	Clip	29	812 00 00-32	Ring, Klip
12	873 51 04-00	Nut, Hex, Keps, 1/4-20 UNC	30	532 15 92-29	Bracket, Idler
13	823 23 05-06	Screw, Set, Hex, 5/16-18 x 3/8	32	532 13 94-01	Shaft, Idler Arm
14	532 15 61-17	Spacer, Split, 0.327 x 0.42 x 1.220	37	532 42 96-95	Sheave, Engine
15	819 11 11-16	Washer, 11/32 x 11/16 x 16 Gauge	39	532 14 00-62	Cap Plunger
16	532 14 51-02	Sheave, Transmission	42	532 10 61-60	O-Ring
17	873 22 05-00	Nut, Hex, 5/16-18	54	532 10 42-14	Nut, Hex, 5/16-18
18	532 13 16-91	Spacer, Split	62	874 93 05-72	Bolt, Hex Head, 5/16-18 x 4-1/2
19	812 00 00-28	Ring, Retainer	63	532 17 57-97	Bracket Assembly, Guard
			64	874 77 05-08	Bolt, 5/16-24 UNF x 1/2
			67	819 13 13-16	Washer, Flat, 3/8 SAE

**NOTE:** All component dimensions given in U.S. inches. 1 inch = 25.4 mm

**HUSQVARNA TILLER - MODEL NUMBER TR530 (MFG. ID. NO. 96091001702)**  
**MAINFRAME, RIGHT SIDE**



mainframe\_right\_Subaru\_3

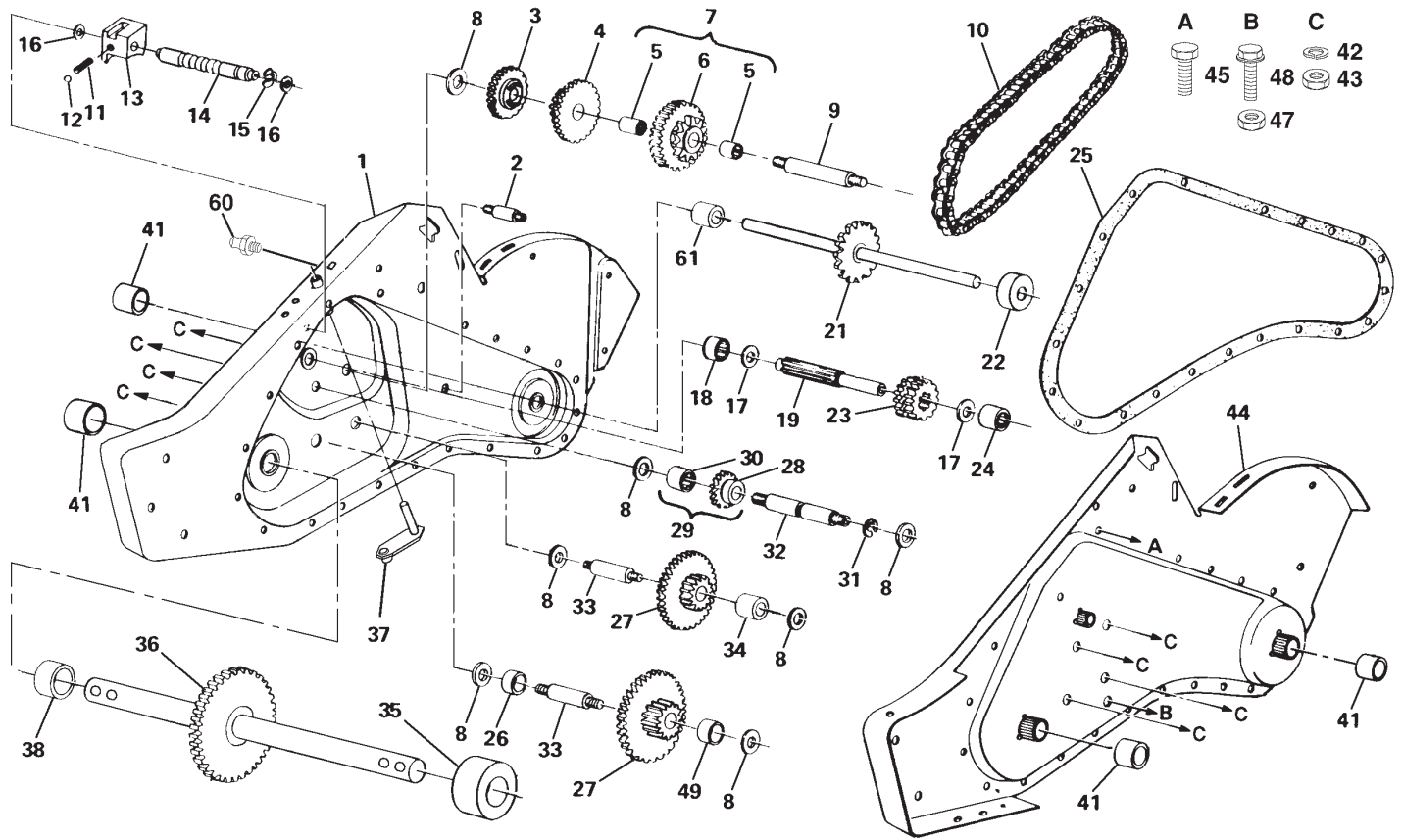
KEY NO.	PART NO.	DESCRIPTION
1	532 17 56-24	Bumper
7	532 18 02-75	Counter Weight, R.H.
8	810 04 06-00	Washer, Lock, 3/8
9	873 22 06-00	Nut, Hex, 3/8-16
11	532 12 49-61	Clip, Hairpin
12	532 00 49-29	Rivet, Drilled
13	532 00 50-15	Tire
	532 00 50-14	Rim
	532 12 47-18	Tire Valve
14	873 97 05-00	Nut, Lock, Hex, Flanged

KEY NO.	PART NO.	DESCRIPTION
15	---	Engine, Subaru, Model Number EX210DM2161
17	872 14 06-08	Bolt, Hex Head, 5/16-18 x 1-1/2
18	872 47 06-36	Bolt, Carriage, 3/8-16 x 4-1/2
19	874 76 06-72	Bolt, Hex Head, 3/8-16 x 4-1/2
20	532 43 21-05	Base, Engine
21	874 76 06-16	Bolt, Hex Head, 5/16-18 x 1
22	874 76 05-24	Bolt, Hex Head, 5/16-18 x 1-1/2

**NOTE:** All component dimensions given in U.S. inches.  
 1 inch = 25.4 mm

# HUSQVARNA TILLER - MODEL NUMBER TR530 (MFG. ID. NO. 96091001702)

## TRANSMISSION

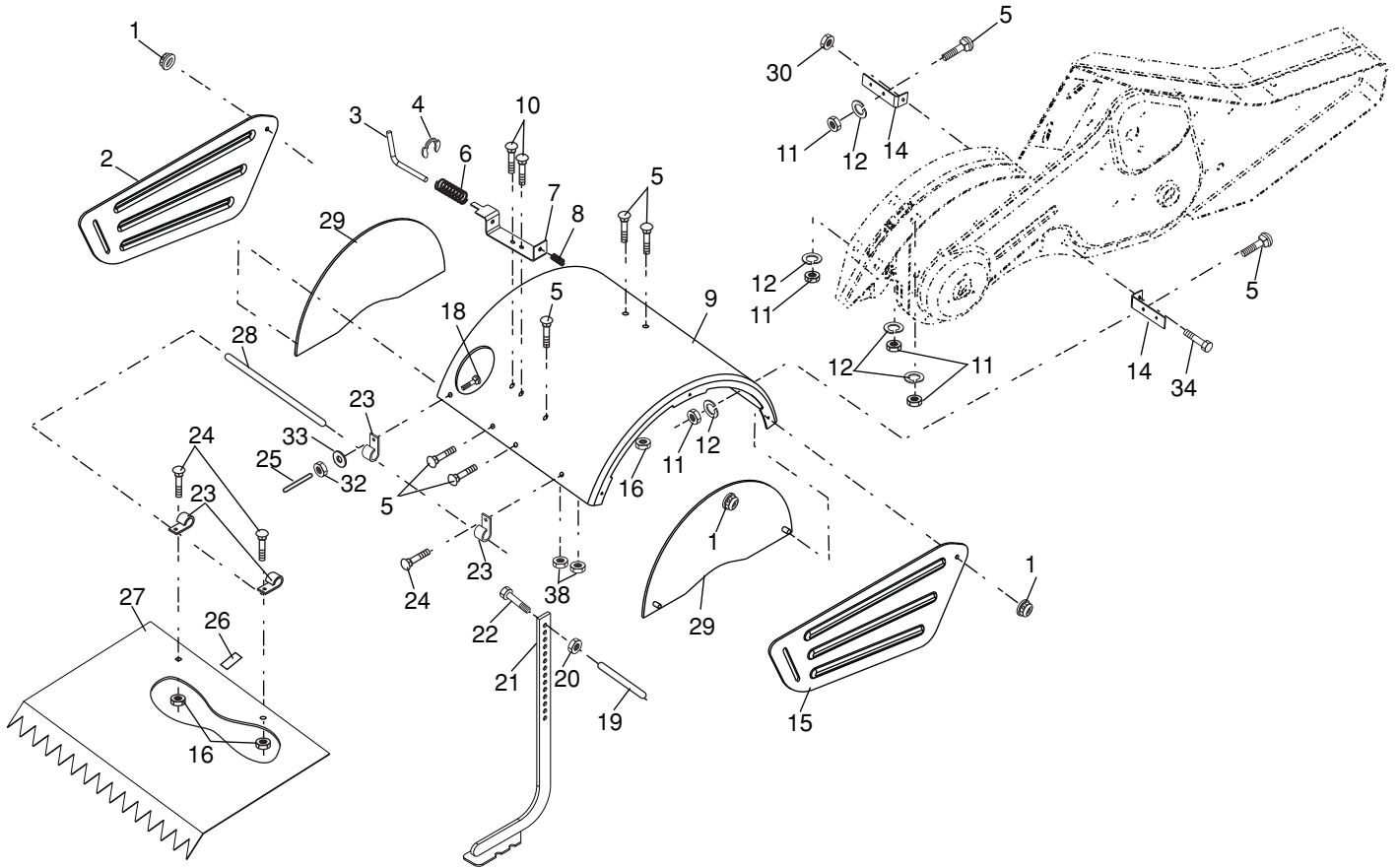


KEY NO.	PART NO.	DESCRIPTION	KEY NO.	PART NO.	DESCRIPTION
--	532 18 13-37	Transmission Assembly	28	532 00 83-57	Gear, Reverse Idler
1	532 18 13-32	Gearcase, R.H., with Bearing (Includes Key Number 18)	29	532 14 45-62	Gear Assembly, Reverse Idler (Includes Key Numbers 28 and 30)
2	532 18 13-62	Spacer Gearcase	30	532 00 68-03	Bearing, Needle
3	532 17 50-35	Gear Reverse	31	812 00 00-40	Ring, Klip
4	532 10 53-45	Gear, Cluster, Red, 1st & 2nd	32	532 00 83-56	Shaft, Reverse Idler
5	532 10 04-13	Bearing, Needle	33	532 10 00-16	Shaft, Reduction (2nd)
6	532 14 45-64	Sprocket and Tine Assembly	34	532 10 63-92	Spacer, 0.765 I.D. x 1-1/8 x 1-3/8
7	532 14 45-63	Sprocket Assembly with Bearing (Includes Key Number 5)	35	532 10 63-94	Spacer, LH
8	532 00 43-58	Washer	36	532 10 04-36	Shaft Assembly
9	532 00 83-58	Shaft, Reduction (1st)	37	532 14 21-45	Bracket Assembly
10	532 00 83-71	Chain, Roller	38	532 10 63-93	Spacer, RH
11	532 10 03-71	Spring, Shift, Fork	41	532 15 52-36	Seal Assembly, Oil
12	532 12 46-97	Ball, Steel	42	810 04 07-00	Push Nut, 7/16
13	532 00 83-53	Fork, Shift	43	873 61 07-00	Nut, Hex, 7/16-20
14	532 17 53-72	Shaft, Reduction	44	532 18 13-23	Gearcase, L.H. with Bearing (Includes Key Number 24)
15	812 00 00-39	Ring, Klip	45	817 72 05-10	Screw, Thread Cutting, 5/16-18 x 5/8
16	532 15 44-67	Washer, Seal	47	873 22 05-00	Nut, Hex, 5/16-18
17	532 00 13-70	Washer, Thrust, 5/8 I.D.	48	532 10 01-07	Screw, 5/16-18 x 4
18	532 12 47-92	Bearing, Needle	49	532 10 63-91	Spacer, 0.765 I.D. x 1.12 x 3/4
19	532 15 06-95	Shaft, Input	60	532 18 32-26	Fitting, Grease
21	532 43 15-19	Tine Shaft Assembly	61	532 43 15-01	Spacer, 1.015 x 1.50 x .765
22	532 10 61-81	Spacer, 1.008 x 1-3/4 x 0.645	--	532 00 60-66	Grease, #1
23	532 17 50-31	Pinion, Input	--	532 16 21-70	Bearing Assembly
24	532 00 50-20	Bearing, Needle			
25	532 43 10-23	Gasket, Gearcase			
26	532 10 63-89	Spacer, 0.765 I.D. x 1.12 x 5/8			
27	532 10 04-33	Gear, Cluster			

**NOTE:** All component dimensions given in U.S. inches. 1 inch = 25.4 mm

# HUSQVARNA TILLER - MODEL NUMBER TR530 (MFG. ID. NO. 96091001702)

## TINE SHIELD



tine\_shield\_99\_21\_in\_r2

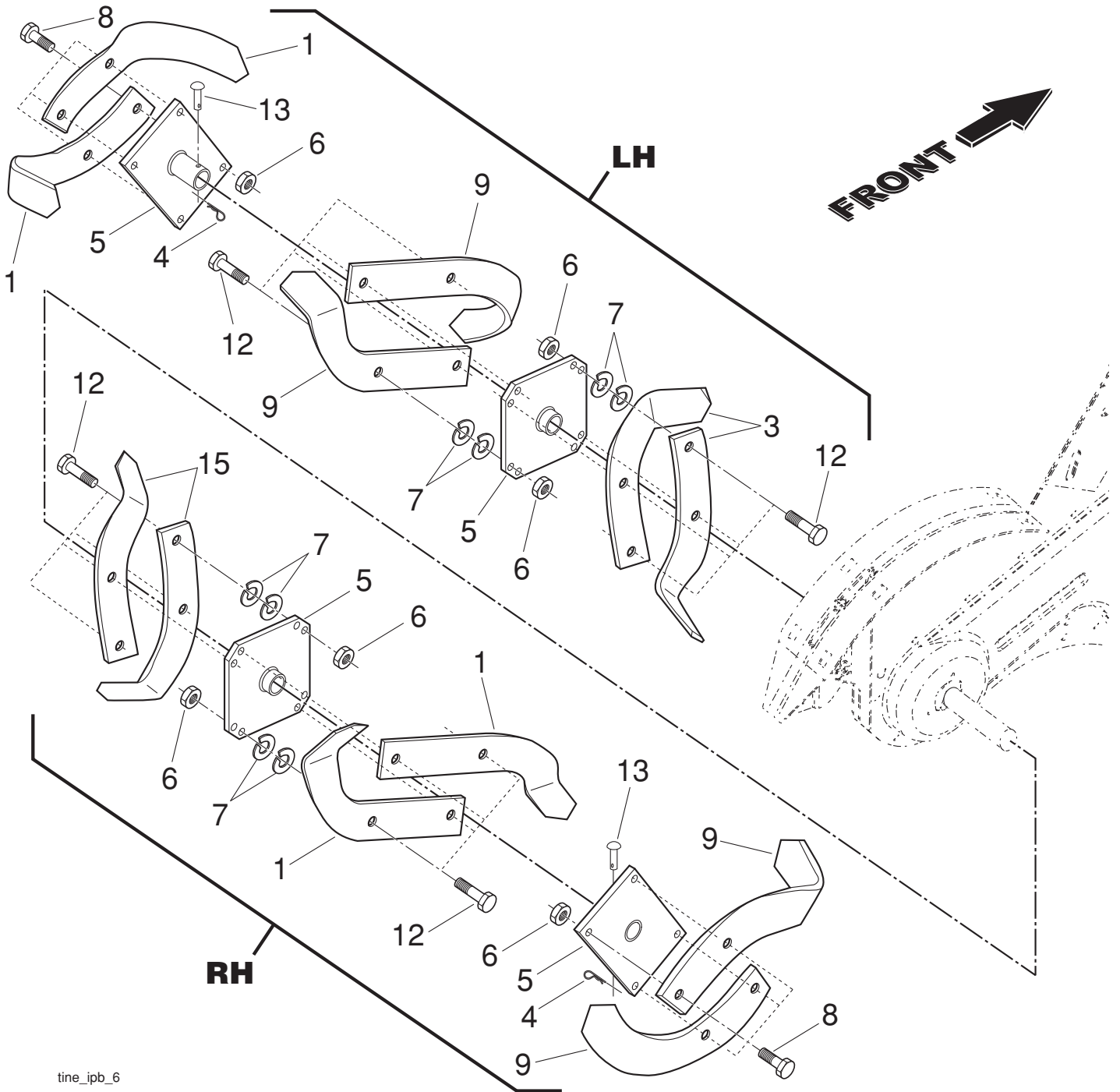
KEY NO.	PART NO.	DESCRIPTION
1	873 90 05-00	Nut, Lock, Hex, Flanged, 5/16-18
2	532 44 29-66	Shield, Side, Outer, LH
3	532 00 83-93	Pin, Stake, Depth
4	812 00 00-35	Ring, Klip
5	532 18 08-47	Bolt, 5/16-18 x 3/4
6	532 00 83-94	Spring
7	532 00 83-92	Bracket, Latch
8	532 10 92-30	Spring, Depth Stake
9	532 44 29-61	Shield, Tine
10	872 14 05-08	Bolt, Carriage, 5/16-18 x 1
11	873 22 05-00	Nut, Hex, 5/16-18
12	810 04 05-00	Washer, Lock, 5/16
14	532 12 43-43	Bracket, Tine Shield
15	532 44 29-65	Shield, Side, Outer RH
16	873 90 04-00	Nut, Hex, Flanged, 1/4-20 UNC
18	872 04 04-10	Bolt, Carriage, Grade 5, 1/4-20 x 1-1/4
19	532 10 27-01	Grip
20	873 22 06-00	Nut, Hex, 3/8-16

KEY NO.	PART NO.	DESCRIPTION
21	532 13 84-20	Stake, Depth
22	874 93 06-32	Bolt, Hex Head, 3/8-16 x 2
23	532 00 44-40	Hinge
24	872 14 04-04	Bolt, Carriage, Grade 5, 1/4-20 x 1/2
25	532 12 47-17	Cap, Vinyl
26	532 10 92-27	Pad, Idler
27	532 44 29-90	Shield, Leveling
28	532 13 86-09	Pin, Hinge
29	532 44 29-67	Shield, Side
30	873 97 05-00	Nut, Lock, Hex, Flanged
32	873 22 04-00	Nut, Hex, 1/4-20 UNC
33	810 04 04-00	Washer, Lock, Heavy Helical, 1/4
34	874 49 05-36	Bolt, Hex Head, Flanged, 5/16-18 x 2-1/4
38	873 51 05-00	Nut, Hex, Keps, 5/16-18 UNC

**NOTE:** All component dimensions given in U.S. inches.  
1 inch = 25.4 mm



**HUSQVARNA TILLER - MODEL NUMBER TR530 (MFG. ID. NO. 96091001702)**  
**TINE ASSEMBLY**



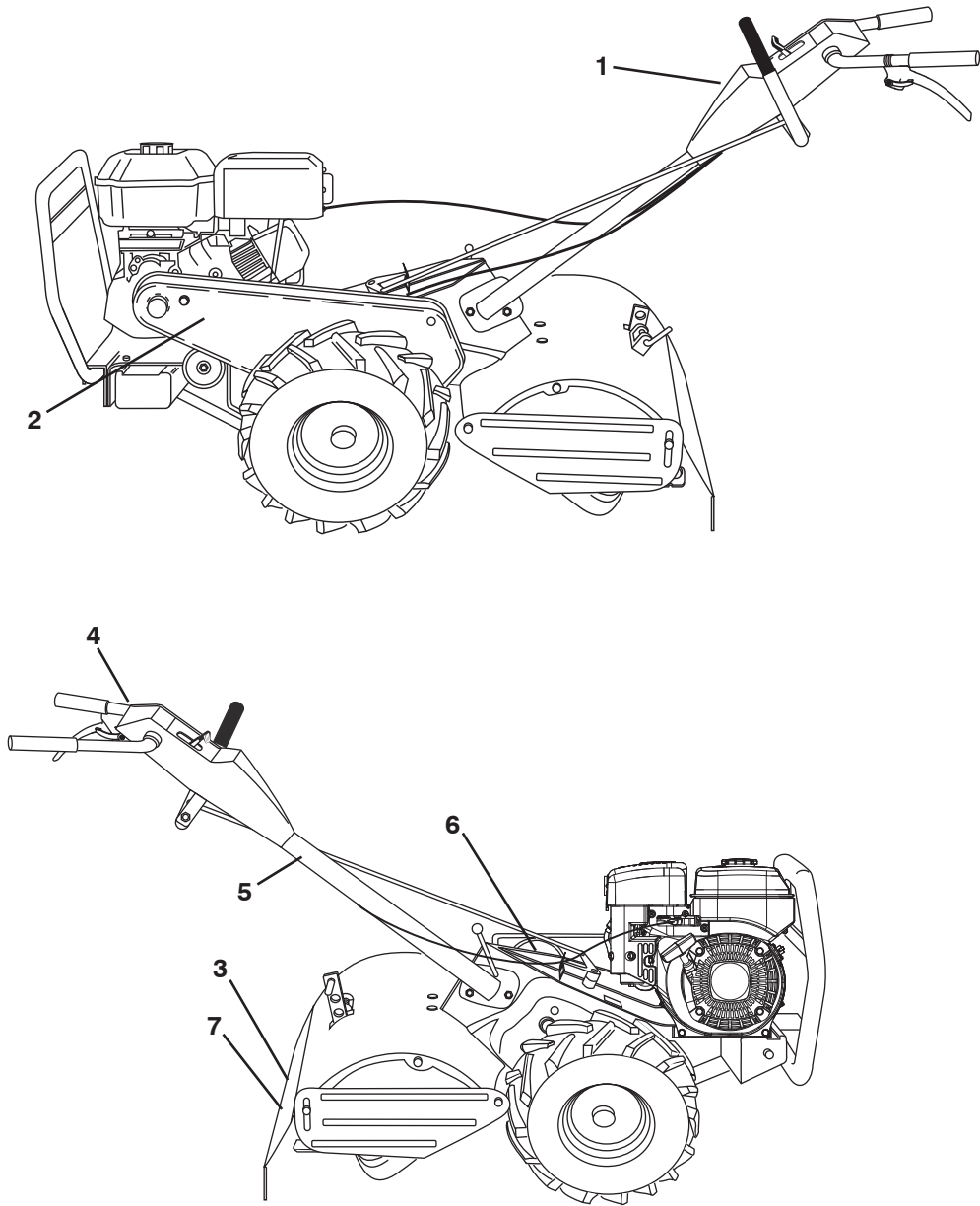
tine\_ipb\_6

KEY PART NO.	PART NO.	DESCRIPTION
1	532 00 65-56	Tine, Outer, L.H.
3	532 10 11-94	Tine, Inner, L.H.
4	532 12 46-60	Retainer Spring, Zinc
5	581 85 06-01	Assembly, Hub and Plate
6	873 54 06-00	Nut, Hex 3/8-24 (12 per side)
7	810 04 06-00	Washer, Lock 3/8 (16 per side)

KEY PART NO.	PART NO.	DESCRIPTION
8	874 61 06-16	Bolt, Hex Head 3/8-24 x 1 (4 per side)
9	532 00 65-57	Tine, Outer, R.H.
12	874 61 06-24	Bolt Hex Head 3/8-24 x 1-1/2 (8 per side)
13	532 44 60-59	Clevis Pin
15	532 10 11-93	Tine, Inner, R.H.

**NOTE:** All component dimensions given in U.S. inches.  
 1 inch = 25.4 mm

**HUSQVARNA TILLER - MODEL NUMBER TR530 (MFG. ID. NO. 96091001702)**  
**DECALS**



KEY NO.	PART NO.	DESCRIPTION
1	532 43 35-46	Decal, Logo
2	532 42 91-96	Decal, Logo
3	532 14 54-37	Decal, Europe Standard, CE
4	532 43 14-63	Decal, Instruction, Tilling
5	532 15 98-77	Decal, Hand Placement
6	532 13 85-46	Decal, Shift Indicator
7	532 17 65-57	Decal, Warning, 4-Symbol
--	532 43 87-84	Manual, Operator's, European
--	532 43 87-85	Manual, Operator's, Scandinavian
--	532 43 87-87	Manual, Operator's, East Bloc
--	532 43 87-89	Manual, Operator's, Baltic